



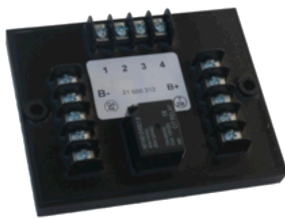
Terminal Block Module

24V Version

In boom, scissor and other vehicle applications, the TBM simplifies E-Stop wiring, reduces wiring to the boom/platform, and simplifies power connection installation.

The TBM's current sensing allows the main controller to test and detect short circuits and open coils.

General Features



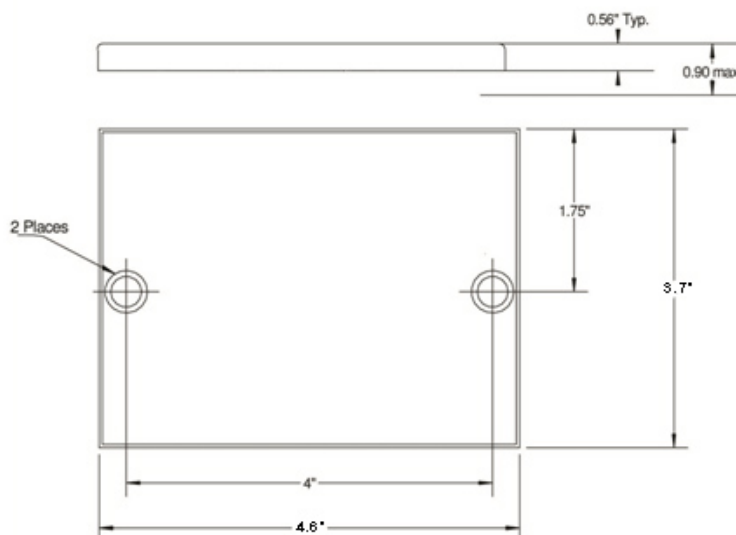
TRIONIC
vehicle controls

- Enables B+ output when EMS platform or ground switched on.
- Measures current of B+ output
- Used to diagnose open circuit valve

Technical Data

Power Supply	12/24V		8.5 VDC to 33 VDC
Current Measurement	0.5v – 5v for 0 – 8A		
Max Amp for relay	20A		
Water Proof	IP 67		
Working Temperature	-40 + 60°C		
Overall Dimensions	4.6" x 3.7" x 0.9"		L x W x H
	117 x 94 x 23 mm		

Dimensions



EUROPE
Trionic Mobility Systems, SAS

AMERICAS
PG Trionic, Inc.

ASIA
Trionic Shenzhen Ltd.

www.trionigroup.com

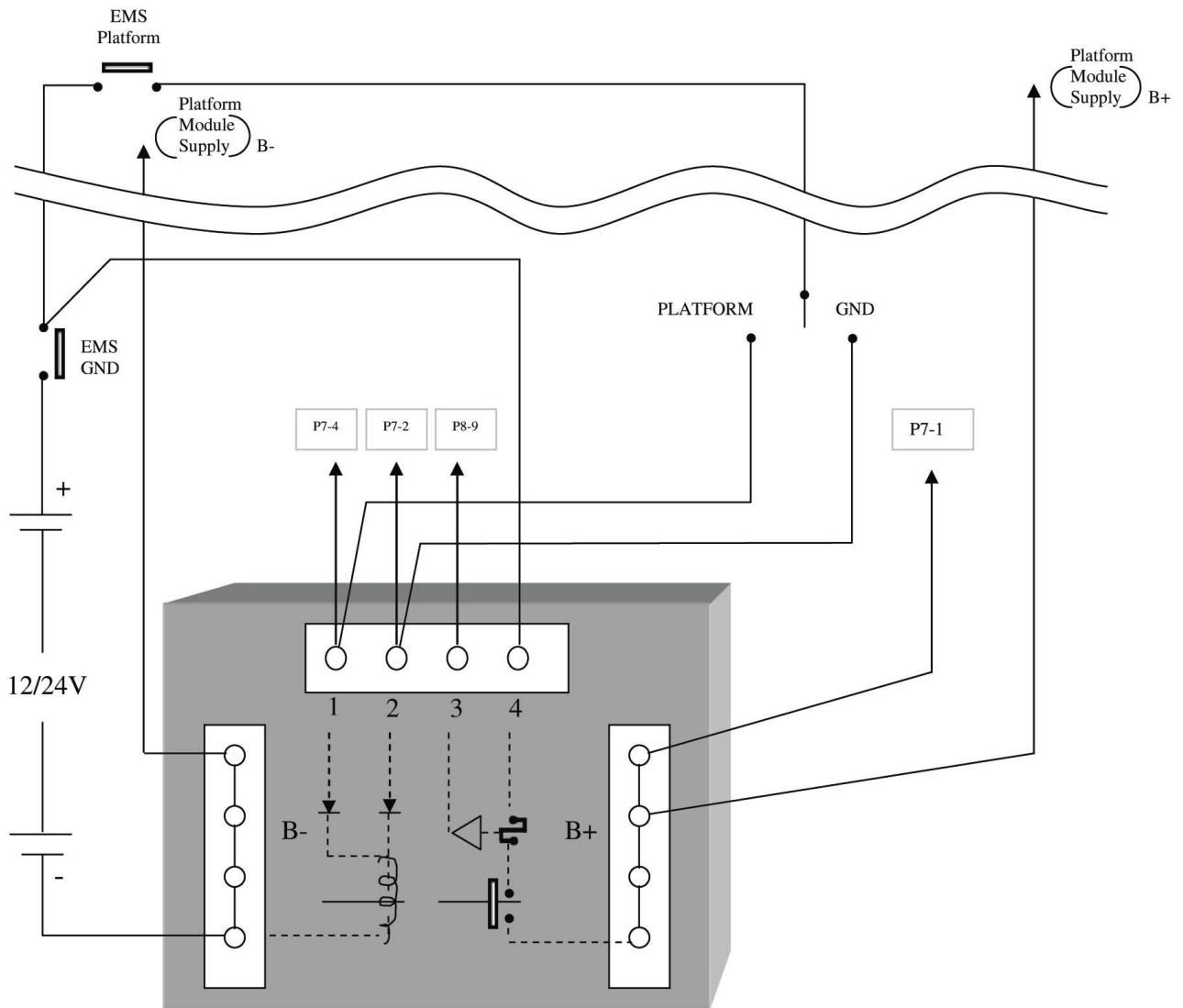


Terminal Block Module

24V Version

Typical Wiring Diagram

For TBM P/N 21 500 312



Px - x Typical GP400 INPUTS

EUROPE
Trionic Mobility Systems, SAS

AMERICAS
PG Trionic, Inc.
www.trionigroup.com

ASIA
Trionic Shenzhen Ltd.