

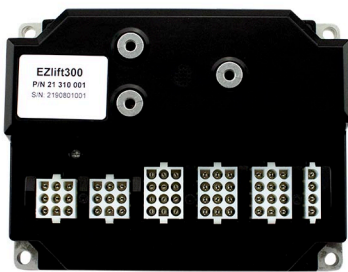


EZlift300

Vehicle & Motor Controller

Product Highlights

- Complete Integrated Scissor Lift Control System
- 7.2 KW Pump Motor Controller
- High I/O count and CANbus expandable
- Configurable for a wide variety of functions including EN280 compliance.



TRIONIC
vehicle controls

General Features

- Integrated tilt sensor can be configured to limit or prevent selected functions when vehicle is tilted
 - Platform overload can be configured for EN280 compliance (requires pressure sensor and Dual EZfit height sensor)
 - Flash memory allows factory configuration to exact vehicle needs
 - Inputs from platform joystick & switches (or ground mode emergency switches) control vehicle functions via protected valve & line contactor drivers
 - Inputs from various cutout switches can be configured to limit or prevent selected functions depending on vehicle state.
 - Dual micro-controller ensures failsafe operation
 - Available **EZcal** hand-held allows access to configuration settings and diagnostics including history log (via RS232)
 - All inputs & outputs can be tested with **EZcal** to identify wiring errors
 - Integral status LED provides (flashing) fault code indication
- Optional:** Text display module provides end-user status & fault descriptions to minimize down time

Technical Data

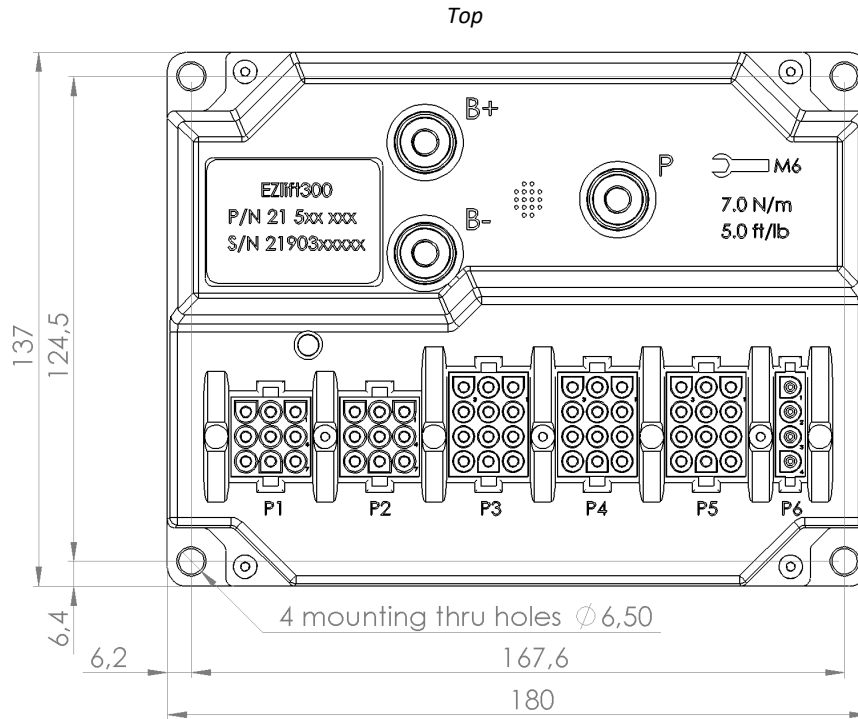
Power Supply	24V	8.5 to 33 Vdc	Under and Over Voltage Shutdown
Continuous current	300A		Current limit protect motor
Peak current	500A		Protected from power wiring errors
PWM Frequency	15Khz		
Integral Tilt Sensor	+/- 0 to 10°	$\sqrt{(x^2+y^2)}$	
High Side Output	8	3A	Automotive spec. protected drivers
PWM Output (high side)	4	3A	Automotive spec. protected drivers
Indicator outputs low side	6	2A	Automotive spec. protected drivers
Power output low side	1	4A	Automotive spec. protected drivers
Digital Inputs	24	1.25KΩ	Low impedance eliminates moisture problems
Analog inputs	6	0-5 Vdc	Protected from wiring errors
Water Proof	IP 67		
Ambient Working Temperature	-40 + 50°C		Controller must be mounted to vehicle frame to provide heatsink
Overall Dimensions	7.09" x 5.4" x 2.7" 180 x 137 x 68 mm		L x W x H



EZlift300

Vehicle & Motor Controller

Dimensions



Mounting Instructions

The EZlift 300 control module requires special installation due to its integral tilt sensor. The module must be mounted perpendicular to the ground, with the connectors at the bottom. To achieve full power capability, the base plate should be bolted to a large metal part of the chassis with 4 of M6 x 17mm (min) bolts. The base plate must be oriented at 0° or 90° to the direction of travel.