



TRIONIC
vehicle controls

General Features

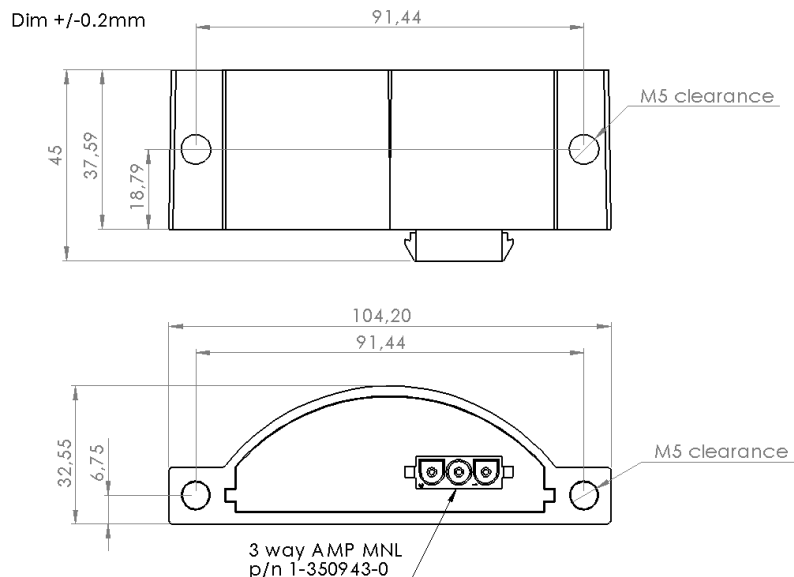
- Wide Angle
- Easy Installation (2 screws)
- No moving parts
- Water proof construction
- Analog voltage output (PWM option)
- Fully protected (reverse supply, output s/c, etc)

Technical Data

Angle range	$\pm 60^\circ$	$\pm 50^\circ$ linear
Resolution	Better than 1°	
Repeatability	$<1^\circ$	limited by Resolution
Response time	100ms max.	
Output Voltage Range	1.0V – 4.0Vdc	2.5V at level
Supply Voltage (reverse protected)	8.5 – 35Volts DC	
Supply Current	20mA max.	
Output Current	2mA	
Operating temperature	-40 – +70 °C	
Storage Temperature	-40 – +85 °C	
Water proof	IP 67	

Dimensions [mm]

Pin 1- B+Ve
Pin 2- Output
Pin 3- Neg.



Note: Maximum torque to apply to the M5 fixing screws, not to exceed 1Nm.