



Product Highlights

- Integrated Platform Solution for small Electric Scissors and Mast Lifts
- Three digit display shows battery charge status and fault codes to the operator
- Pre-wired – for easy installation
- CANbus enabled
- Compact design
- Customizable

With its compact design, it provides four to six momentary switches for user specific functions and six indicator LEDs, as well as an optional Auxiliary connector for additional sensors or switches.



General Features

- Analog inputs and switch inputs for joystick
- Up to 6 momentary switches
- Three digit display
- Up to 6 LED indicators
- CANbus interface to main valve/motor control module minimizes cable wiring/size
- Integrated Buzzer and optional USB Charger

Technical Data

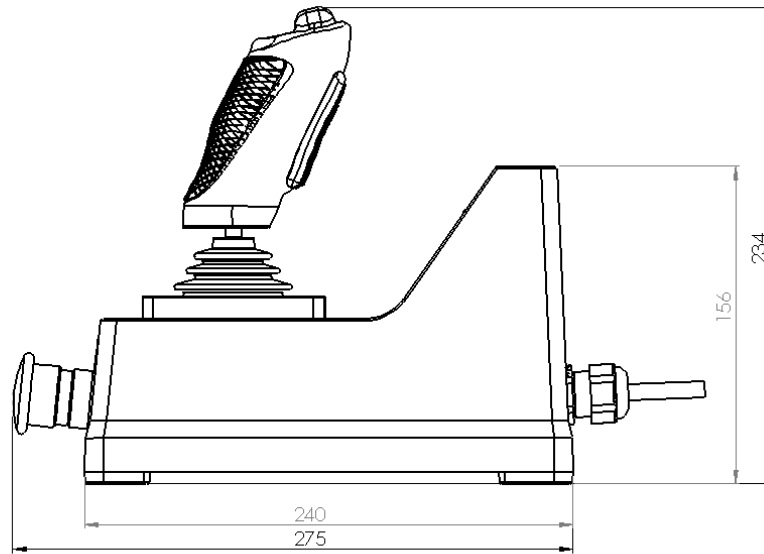
Power supply	12/24V	8.5 to 33 VDC	
AUX. Digital Inputs	2	1.25KΩ imp.	
AUX. Analog Inputs	2	0V – 5V	
AUX. Supply output	1	750 mA	protected
Working temperature	-40 to 60 °C		
Weight	1 KG		without cable
Overall Dimensions	10.9 x 5 x 9.3” 275 x 125 x 234 mm		



Platform Box

CANbus

Dimensions



Overall Dimensions
10.9 x 5 x 9.3"
275 x 125 x 234 mm

