

Product Highlights

- Integrated Platform Solution for RT Scissors
- Three digit display shows battery charge status and fault codes to the operator
- Pre-wired – for easy installation
- CANbus enabled
- Compact design
- Customizable

With its compact design, it provides up to 15 momentary switches and 1 optional Finger Joystick for user specific functions and 15 indicator LEDs, as well as an optional Auxiliary connector for additional sensors or switches.



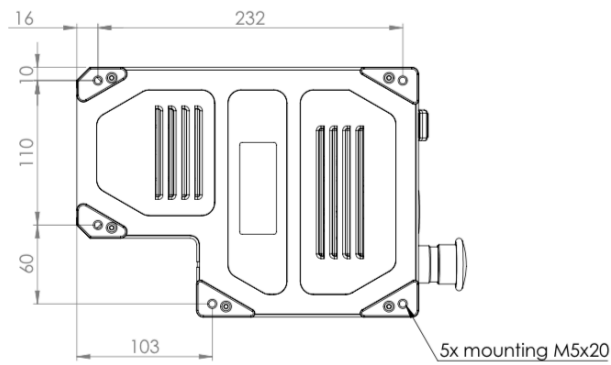
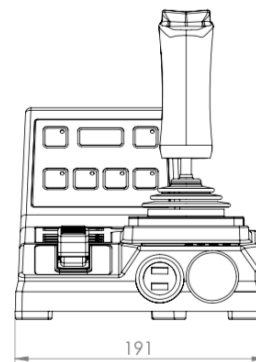
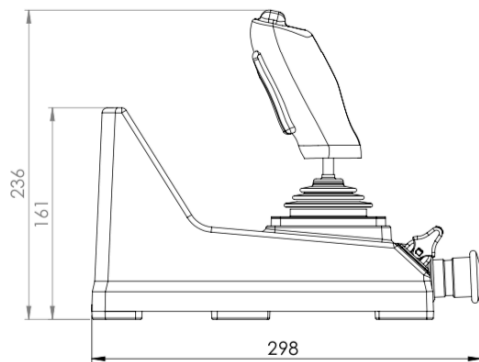
General Features

- Analog inputs and switch inputs for joystick
- 15 momentary switches
- Three digit display
- Up to 15 LED indicators
- CANbus interface to main valve/motor control module minimizes cable wiring/size
- Optional single axis Finger Joystick
- Integrated Buzzer and optional USB Charger

Technical Data

Power supply	12/24V	8.5 to 33 VDC	
AUX. Digital Inputs	2	1.25KΩ imp.	
AUX. Analog Inputs	2	0V – 5V	
AUX. Supply output	1	750 mA	Protected
Working temperature	-40 to 60 °C		
Weight	1.4 Kg		
Overall Dimensions	11.8 x 7.6 x 9.3" 298 x 191 x 236 mm		

Dimensions



Overall Dimensions
11.8 x 7.6 x 9.3"
298 x 191 x 236 mm